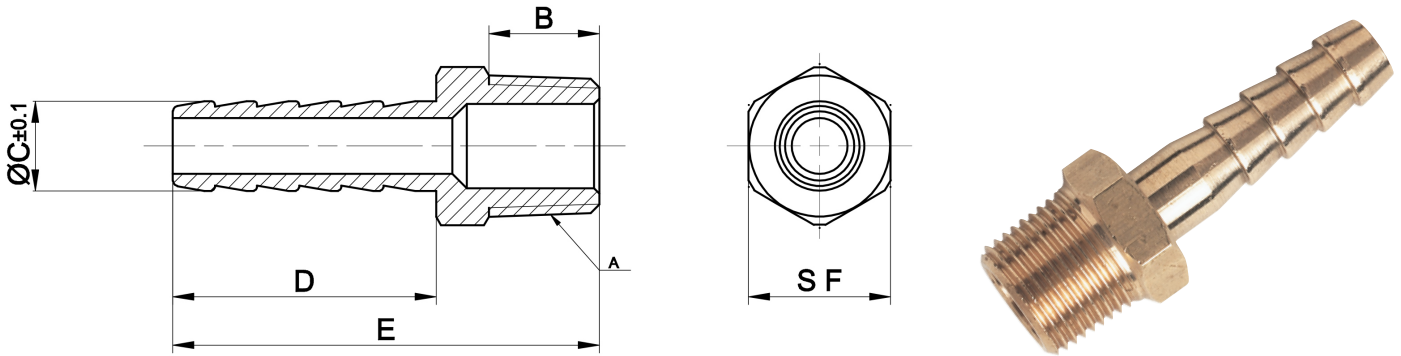


Brass Hose Tails

Male x Hose Tail, Brass



PART NO	THREAD SIZE (A)	THREAD LENGTH (B)	TAIL OD (C)	TAIL LENGTH (D)	OVERALL LENGTH (E)	HEX DIMENSIONS (F)
GT10/04K	R1/8-28	8	3.6	19.5	32	11
GT10/05K	R1/8-28	8	5.2	19.5	32	11
GT10/06K	R1/8-28	8	6.8	22.5	35	11
GT10/08K	R1/8-28	8	8.5	22.5	35	11
GT10/09K	R1/8-28	8	10.5	22.5	35	11
GT13/04K	R1/4-19	10.5	3.6	19.5	35.5	13.5
GT13/05K	R1/8-19	10.5	5.2	19.5	35.5	13.5
GT13/06K	R1/4-19	10.5	6.8	22.5	39.5	13.5
GT13/08K	R1/4-19	10.5	9.5	25	40.5	13.5
GT13/09K	R1/4	10	11	25	41	13.5
GT13/13K	R1/4-19	10.5	13.7	35	51	14.2
GT17/06K	R3/8-19	12.5	6.8	22.5	41	18
GT17/08K	R3/8-19	12.5	8.5	22.5	41	18
GT17/09K	R3/8-19	13	10.5	35	54.5	18
GT17/13K	R3/8-19	12.5	13.7	35	53.5	18
GT17/16K	R3/8-19	13	16.5	36	56.5	17.5
GT17/19K	R3/8-19	12.5	19.8	37.5	56.5	22
GT21/06K	R1/2-14	15.5	6.8	22.5	44.5	22
GT21/08K	R1/2-14	15.5	10	35	58	22
GT21/09K	R1/2-14	15.5	10.3	26	49	22
GT21/13K	R1/2-14	14.2	13.9	37	59	22
GT21/16K	R1/2-14	15.5	16.8	35	58.5	22
GT21/19K	R1/2-14	15.5	19.8	38	60.5	22
GT21/25K	R1/2-14	15.5	26.4	37.5	61	28
GT26/09K	R3/4-14	16	10.5	22.5	45.5	28
GT26/13K	R3/4-14	16	13.7	35	58	28
GT26/16K	R3/4-14	16	16.8	37.5	60.5	28
GT26/19K	R3/4-14	16	19.8	37.5	60.5	28
GT26/25K	R3/4-14	17.5	26	38	63	28
GT33/13K	R1-11	18	13.7	36	63	34.5
GT33/19K	R1-11	18.5	19.8	37.5	64.4	34.5
GT33/25K	R1-11	18.8	26	43.7	70.5	34
GT33/31K	R1-11	18.5	32.8	37.5	64.5	34.5
GT42/25K	R1-1/4-11	23	26.4	37.5	71.5	42.5
GT42/31K	R1-1/4-11	20.5	32.8	37.5	69.5	42.5
GT48/38K	R1-1/2-11	20.5	38.5	56.5	88.5	51
GT52/50K	R2	24	51.8	64	100	61.5